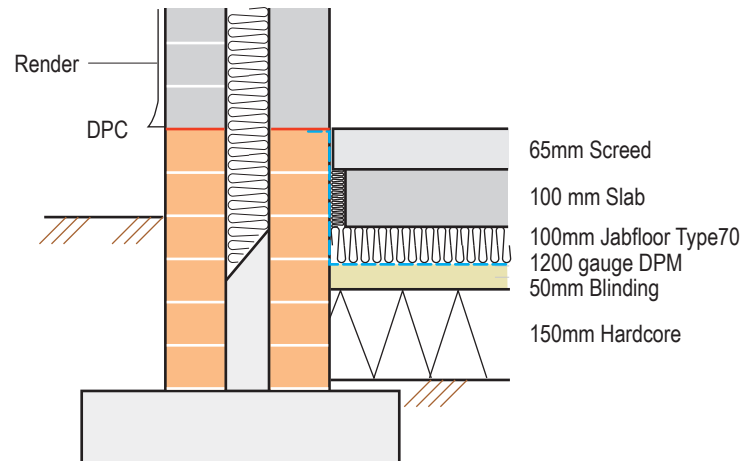


**Section B-B**

All beams to sit on engineering brick padstone



**Ground Floor Slab**